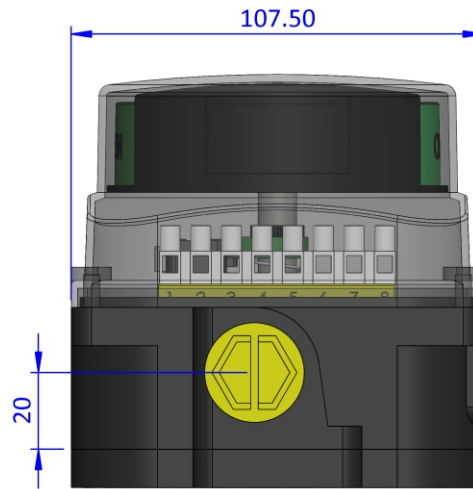
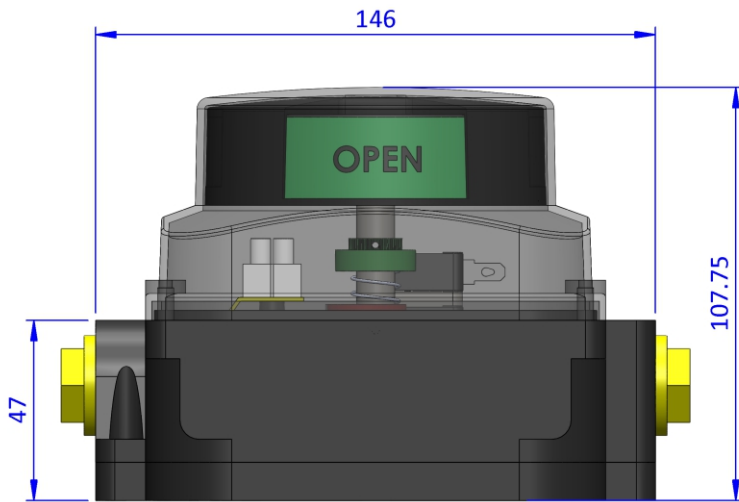
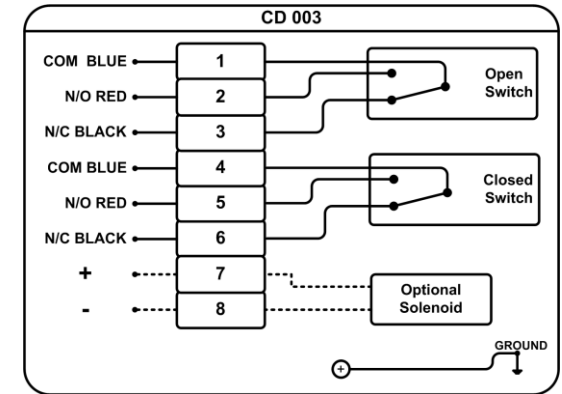


DATA SHEET: LSA-M2WARNM



WIRING DIAGRAM:



HOUSING:

Materials: Base: - ABS
Lid: - Co-Polyester
Shaft: - Stainless Steel
O-rings: - Nitrile

Electrical Entries: 2 x M20
Mounting: VDI/VDE3845 (NAMUR)
Enclosure: IP 68

SWITCHES:

Type: Single Pole Double Throw
Rating: 250V 10A
Temperature: -20°C to 80°C

