

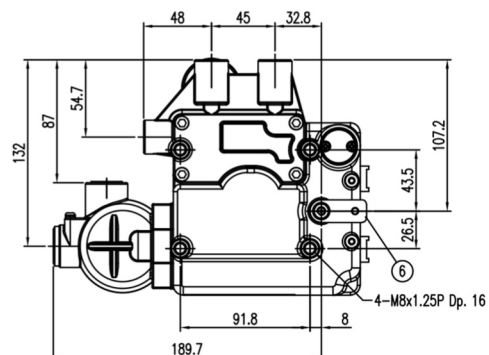
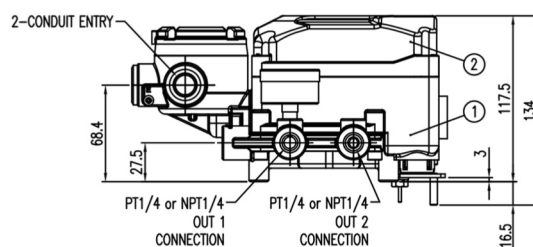
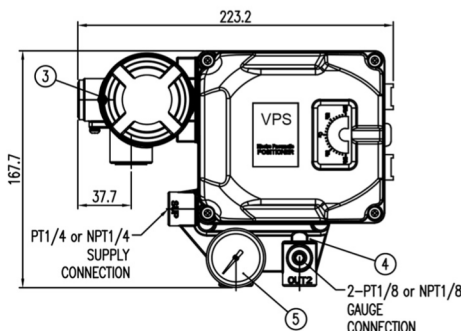
Electro Pneumatic Positioner Series VP6

Specifications

Model		VP6(Single)	VP6(Double)
Input signal		4~20mA DC	
Impedance		250 ±15Ω	
Supply pressure		0.14~0.7MPa	
Stroke		0~90°	
Air connection		PT1/4, NPT1/4, G1/4	
Gauge connection		PT1/8, NPT1/8	
Conduit		G(PF)1/2, NPT1/2, M20	
Explosion proof type		Ex db mb IIC T6/T5 Gb Ex ia IIC T6/T5 Gb	
Intrinsically safe parameters		Ui=28V, li=101mA, Pi=707mV	
Enclosure		IP66 (EN60529)	
Ambient Temp.	Operating Temp.	-20°C~70°C (Standard type)	
	Explosion proof	-40°C~60°C(T5) / -40°C~40°C(T6)	
Linearity		±1.0% F.S.	±2.0% F.S.
Sensitivity		±0.2% F.S.	±0.5% F.S.
Hysteresis		±1.0% F.S.	
Repeatability		±0.5% F.S.	
Air consumption		Below 2.5LPM (Sup=0.14MPa)	
Flow capacity		Over 80LPM (Sup=0.14MPa)	
Material		Aluminum die cast	
Weight		2.8kg	



Dimension [Unit:mm]



E/P Valve Positioner Series VP6

VP6 Electro Pneumatic Positioner Model Number

Rotary E/P Positioner

<u>Model Number</u>	<u>Description</u>
• VP6RN21S0	E/P Rotary Positioner 4-20mA Input
• VP6RN21S1	E/P Rotary 4-20mA Input & SPTM
• VP6RN21S2	E/P Rotary 4-20mA Input & Mechanical Limits
• VP6RN21S4	E/P Rotary 4-20mA Input, SPTM & Mechanical Limits
• VP6RN21S6	E/P Rotary 4-20mA Input & External Limit Switch Box

Linear E/P Positioner

<u>Model Number</u>	<u>Description</u>
• VP6LN21S0	E/P Linear 4-20mA Input
• VP6LN21S1	E/P Linear 4-20mA Input & SPTM

